

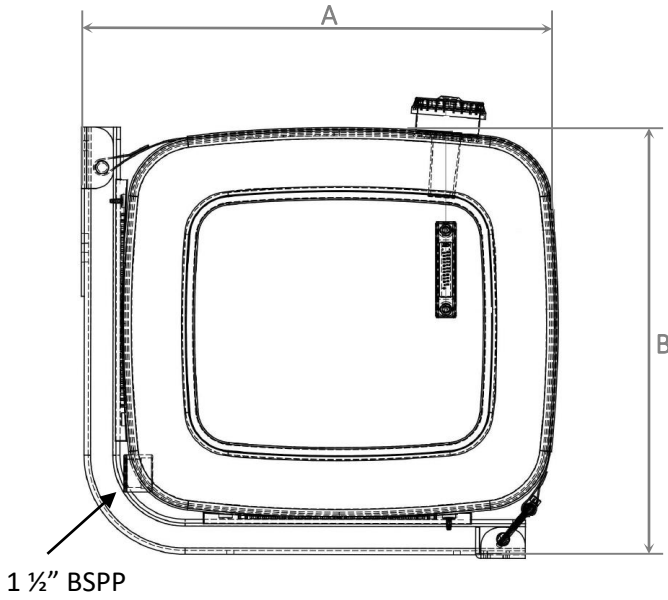


HYDRAULIC TANKS


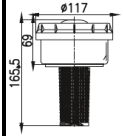

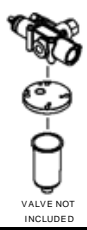
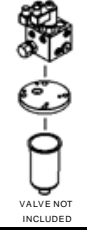

TSBE Aluminium Side Mounted Hydraulic Oil Tanks	6.1
TRBE Aluminium Rear Mounted Hydraulic Oil Tanks	6.2
TOE Aluminium Round Hydraulic Oil Tanks	6.3
TCV Vee Bottom Steel Hydraulic Tanks	6.4

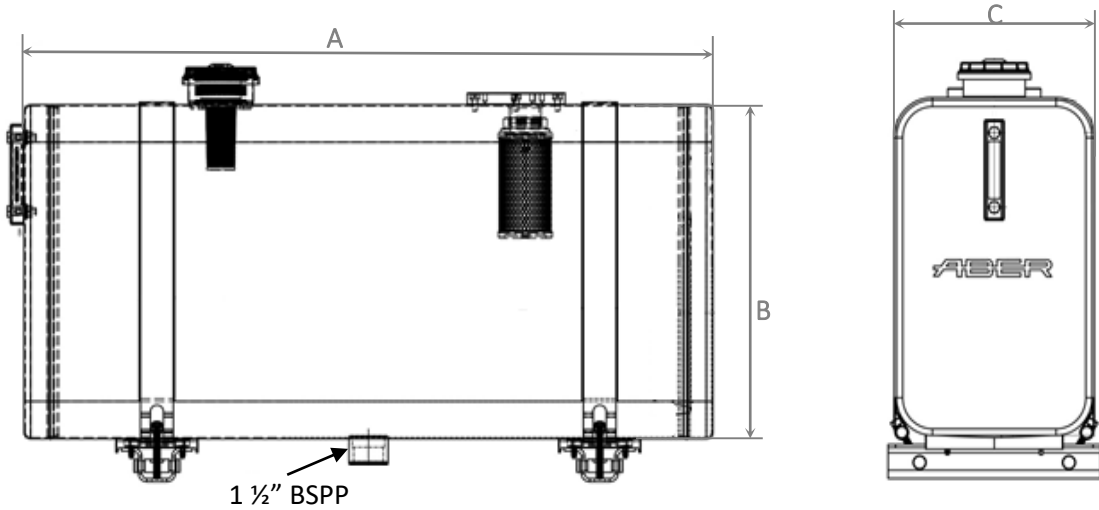
1800 022 831

www.heavyhydraulics.com.au




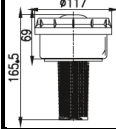



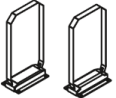
CAPACITY LITRES	A mm	B mm	C mm	SUCTION BSP	Bracket Kits
80	590	490	500	1" 1/2	2
120	710	620	400	1" 1/2	2
125	745	690	350	1" 1/2	1
160	710	710	400	1" 1/2	2
180	754	702	470	1" 1/2	2
200	754	702	550	1" 1/2	2

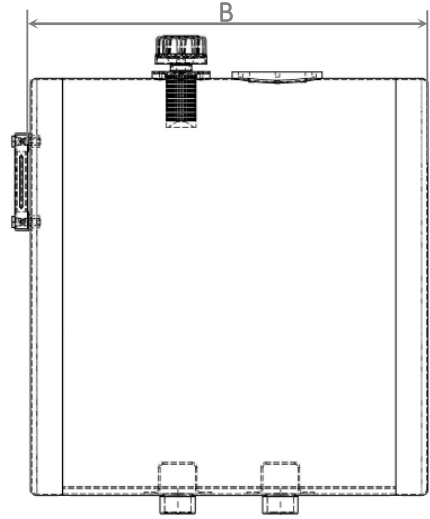
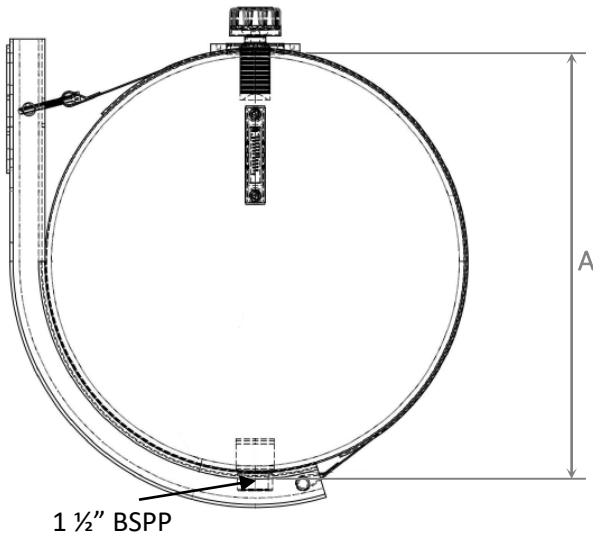
MODEL	CAPACITY	MATERIAL	LEVEL INDICATOR	FILLER AND BREATHER	MOUNTING OPTIONS			OPTIONAL: EXTRA RETURN PORT	MOUNTING BRACKETS
TSBE	80	AL ALUMINIUM	R ROUND SIGHT GLASS 	FB FILLER BREATHER CAP WITH INTEGRAL AIR FILTER 	1 TANK TOP FILTER 	2 PNEUMATIC VALVE MOUNTING PLATE AND OIL FILTER  VALVE NOT INCLUDED	3 ELECTRICAL VALVE MOUNTING PLATE AND OIL FILTER  VALVE NOT INCLUDED	4 DIRECT OIL RETURN	S1 SIDE MOUNT SUPPORT BRACKETS WITH STRAPS AND RIBBONS 
	120								
	125								
	160								
	180								
	200								



CAPACITY LITRES	A mm	B mm	C mm	SUCTION BSP	Bracket Kits
110	850	513	313	1" 1/2	2
180	1250	513	313	1" 1/2	2


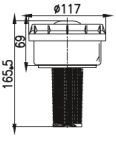


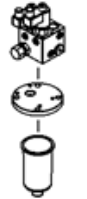
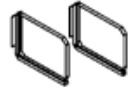


MODEL	CAPACITY	MATERIAL	LEVEL INDICATOR	FILLER AND BREATHER	MOUNTING OPTIONS			OPTIONAL: EXTRA RETURN PORT	MOUNTING BRACKETS
TRBE	110	AL ALUMINIUM	L LONG OIL LEVEL INDICATOR 	FB FILLER BREATHER CAP WITH INTEGRAL AIR FILTER 	1 TANK TOP FILTER 	2 PNEUMATIC VALVE MOUNTING PLATE AND OIL FILTER  VALVE NOT INCLUDED	3 ELECTRICAL VALVE MOUNTING PLATE AND OIL FILTER  VALVE NOT INCLUDED	4 DIRECT OIL RETURN	R1 REAR MOUNT SUPPORT BRACKETS WITH STRAPS AND RUBBERS 
	180								



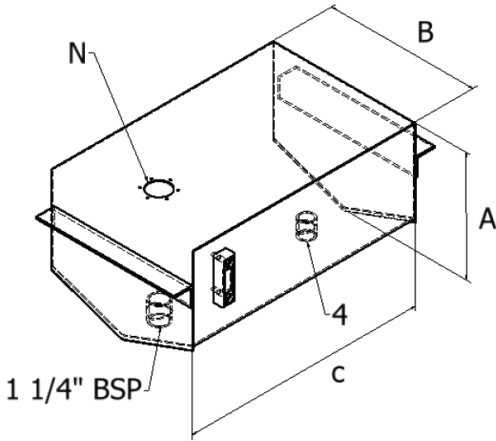
CAPACITY LITRES	A mm	C mm	SUCTION BSP	Bracket Kits
170	660	500	1" 1/2	2
200	625	660	1" 1/2	2
200	660	625	1" 1/2	2



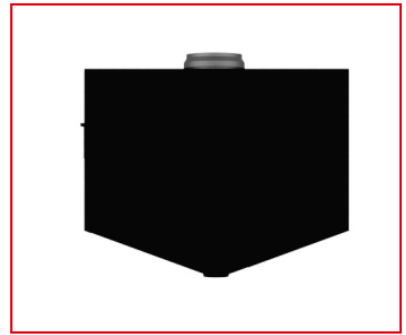
MODEL	CAPACITY	MATERIAL	LEVEL INDICATOR	FILLER AND BREATHER	MOUNTING OPTIONS			OPTIONAL: EXTRA RETURN PORT	MOUNTING BRACKETS
TOE	170	AL ALUMINIUM	L LONG OIL LEVEL INDICATOR 	FB FILLER BREATHER CAP WITH INTEGRAL AIR FILTER 	1 TANK TOP FILTER 	2 PNEUMATIC VALVE MOUNTING PLATE AND OIL FILTER  VALVE NOT INCLUDED	3 ELECTRICAL VALVE MOUNTING PLATE AND OIL FILTER  VALVE NOT INCLUDED	4A DIRECT OIL RETURN	S1 SIDE MOUNT SUPPORT BRACKETS WITH STRAPS AND RUBBERS 
	200								
	201								


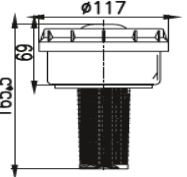
CAPACITY FROM 35 LITERS TO 65 LITERS

VERTICAL MOUNTING



CAPACITY LITERS	MATERIAL	A mm	B mm	C mm	SUCTION PIPE - BSP
35	FE - AL - IX	290	380	400	1 1/4"
45	FE - AL - IX	290	380	510	1 1/4"
65	FE - AL - IX	300	400	600	1 1/4"



MODEL	CAPACITY	MATERIAL	LEVEL INDICATOR	FILLER AND BREATHER	OPTIONAL: EXTRA RETURN PORT
TCV	35	FB STEEL	L LONG OIL LEVEL INDICATOR 	FB FILLER BREATHER CAP WITH INTEGRAL AIR FILTER 	4 DIRECT OIL RETURN
	45				
	65				