

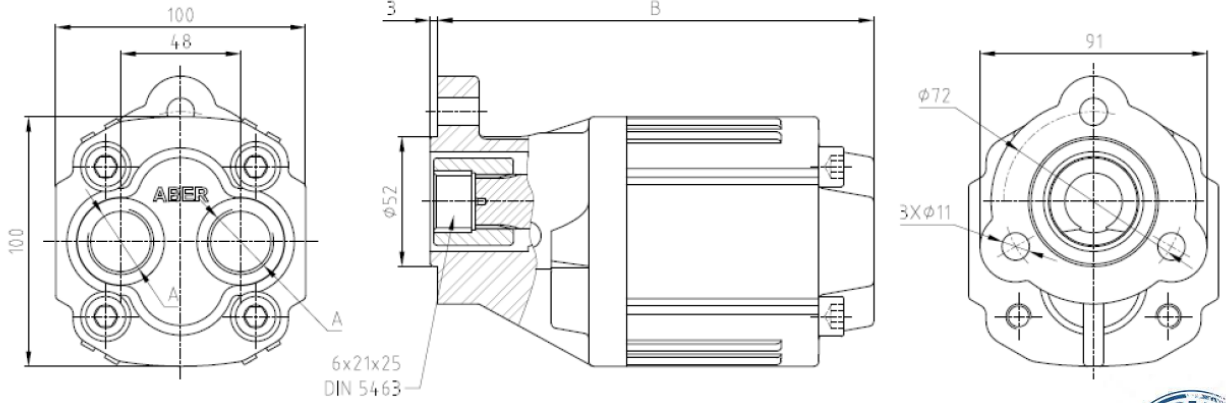


# GEAR PUMPS

B23T Series Gear Pumps – 12cc to 32cc	2.1
B33GT Series Gear Pumps – 38cc to 125cc	2.2
B34GT Series Gear Pumps – 38cc to 125cc	2.3
B354GTR Series Gear Pumps – 64cc to 154cc	2.4
B34D Series Tandem Gear Pumps - 38cc to 82cc	2.5
B Series Pump Seal Kits	2.6

1800 022 831

[www.heavyhydraulics.com.au](http://www.heavyhydraulics.com.au)



Right hand



Left hand

Main Data					
Pump B23T	12	16	20	25	32
Cylinder capacity (cm <sup>3</sup> /rot)	12.4	16.6	20.8	26	32.6
Rotation Min. (rpm)	500	500	500	500	500
Rotation Max. (rpm)	2000	2000	2000	2000	2000
Operating pressure (bar)	280	280	260	250	240
Peak pressure (bar)	325	325	300	300	290
Weight (kg)	4.8	5.3	5.8	6.1	6.6
Sense of Rotation	Bidirectional				
A - Inlet (BSPP) / Outlet (BSPP)	3/4"	3/4"	3/4"	3/4"	3/4"
B	132.5	139	145.5	153.5	163.5

How to order:

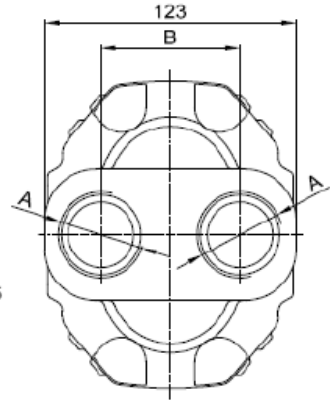
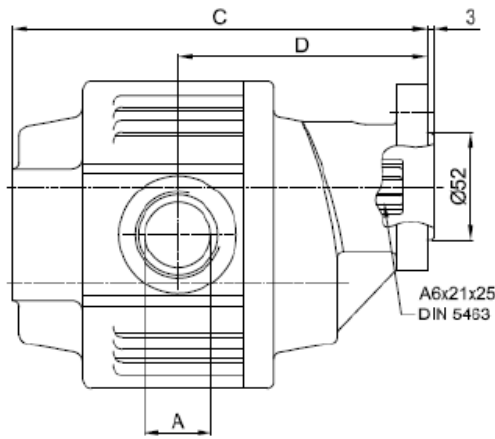
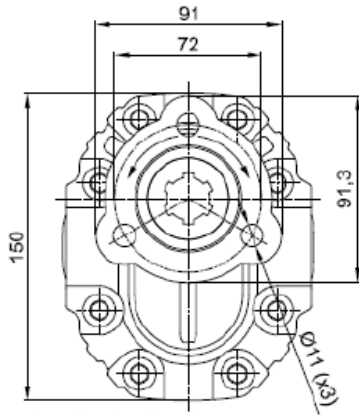
Example: pump 16 cm<sup>3</sup>/rot, operating pressure up to 280bar; peak pressure 325 bar, ref.B23T

➔ B23T16



1800 022 831  
www.heavyhydraulics.com.au





Main Data										
Pump B33T	38	45	52	61	70	82	90	105	115	125
Cylinder capacity (cm <sup>3</sup> /rot)	38	45	52	61	70	82	91	102	116	125
Rotation Max. (rpm)	2800	2800	2500	2000	2000	1800	1800	1800	1800	1800
Operating pressure (bar)	280	280	280	260	250	250	250	250	250	240
Peak pressure (bar)	310	310	310	300	290	290	290	290	290	280
Weight (kg)	11.5	11.5	12	13	13.5	14	14.5	15	16	16.5
Sense of Rotation	Bidirectional									
A - Inlet (BSPP) / Outlet (BSPP)	3/4"		1"			1 1/4"				
B	66				68					
C	186	190	194	200	206	213	219	228	234	241
D	120	124	128	132	135	138	142	145	147	150

How to order:

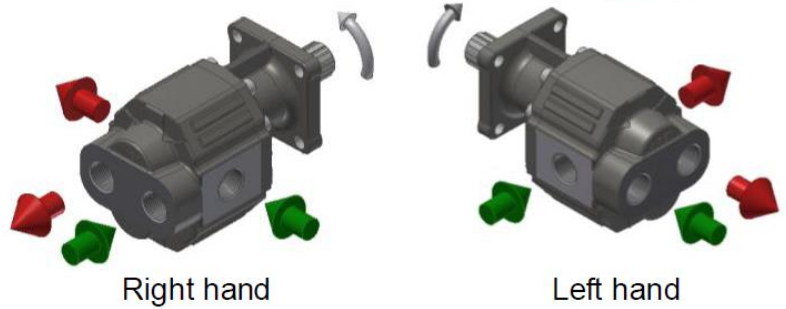
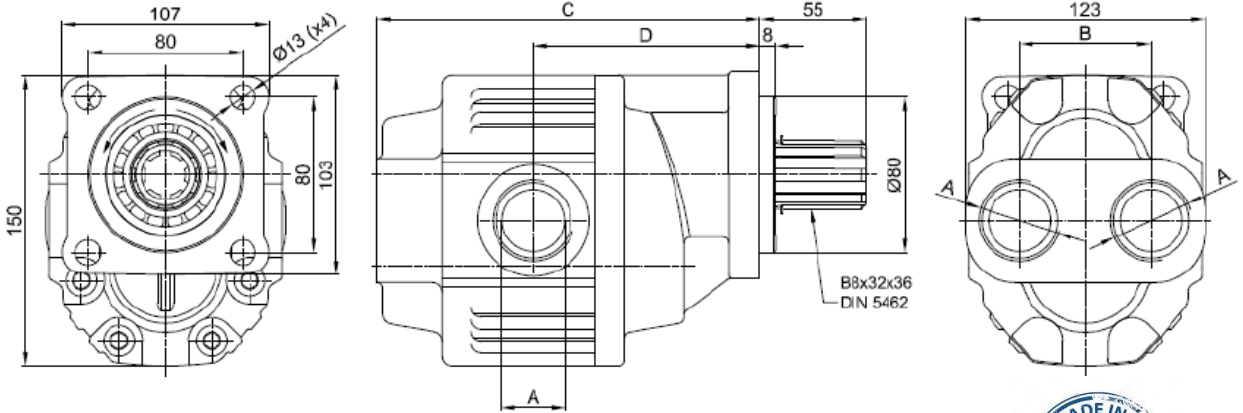
Example: pump 82 cm<sup>3</sup>/rot, operating pressure up to 250bar; peak pressure 290 bar, ref.B33T

➔ B33T82



1800 022 831  
www.heavyhydraulics.com.au





Main Data										
Pump B34GT	38	45	52	61	70	82	90	105	115	125
Cylinder capacity (cm <sup>3</sup> /rot)	38	45	52	61	70	82	91	102	116	125
Rotation Max. (rpm)	2800	280	2500	2000	2000	1800	1800	1800	1800	1800
Operating pressure (bar)	280	280	280	260	250	250	250	250	250	240
Peak pressure (bar)	310	310	310	300	290	290	290	290	290	280
Weight (kg)	11.5	11.5	12	13	13.5	14	14.5	15	16	16.5
Sense of Rotation	Bidirectional						Unidirectional			
A - Inlet (BSPP) / Outlet (BSPP)	3/4"		1"			1 1/4"				
B	66				68					
C	171	175	179	185	191	198	204	213	219	226
D	105	108	111	117	120	123	127	130	132	135

**How to order:**

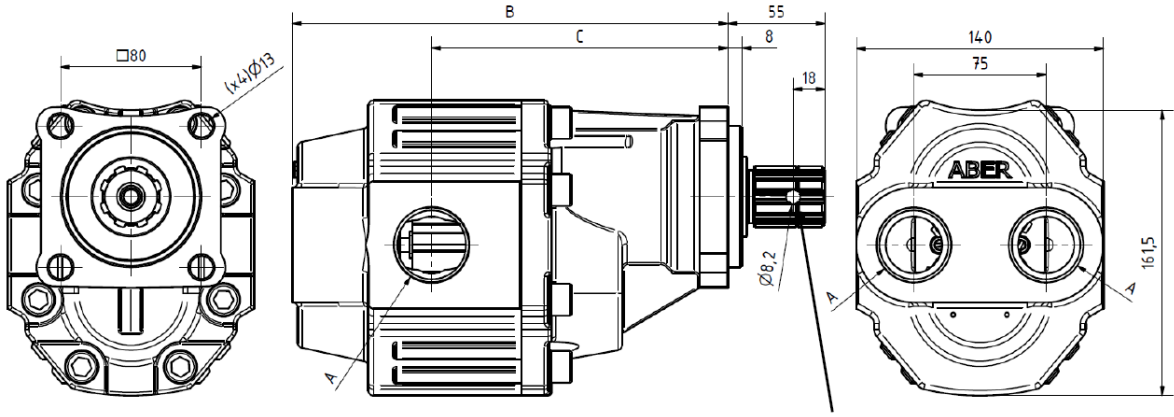
**Bidirectional Example:** pump 82 cm<sup>3</sup>/rot, operating pressure up to 250bar; peak pressure 290 bar, ref.B34GT → B34GT82

**Unidirectional Example:** Left Hand rotation pump 82 cm<sup>3</sup>/rot, operating pressure up to 250bar; peak pressure 290 bar, ref.B34GT → B34GTU82L

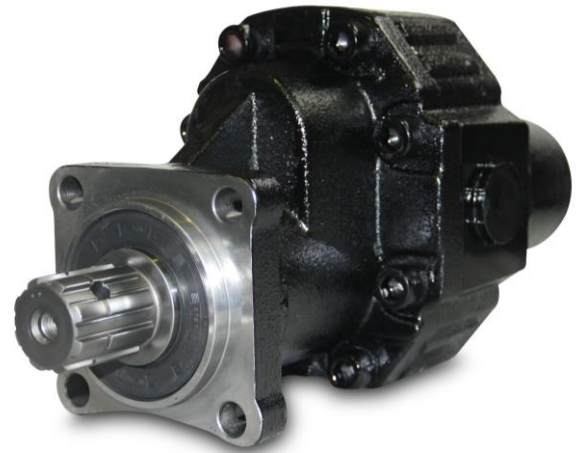
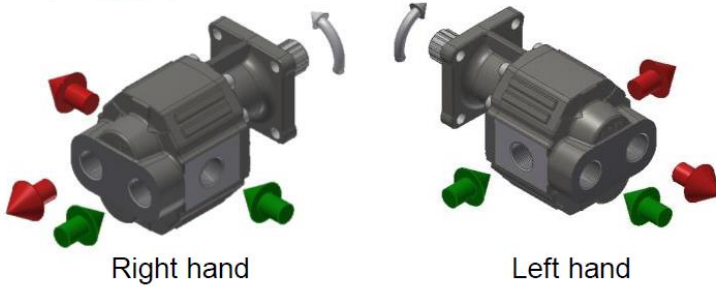


1800 022 831  
www.heavyhydraulics.com.au





B8x32x36 DIN 5462  
Coupling according



Main Data									
Pump B354GTR	64	74	84	94	104	114	124	134	154
Cylinder capacity (cm <sup>3</sup> /rot)	64.5	74.7	83.8	94	104.2	114.5	124.7	133.7	154.2
Rotation Max. (rpm)	2000	2000	1800	1800	1800	1800	1800	1500	1500
Operating pressure (bar)	300	300	270	260	250	250	240	230	185
Peak pressure (bar)	335	335	305	295	285	285	275	265	220
Weight (kg)	18	18	19	19	20	20	21	22	23
Sense of Rotation	Bidirectional								
A - Inlet (BSPP) / Outlet (BSPP)	1"			1 1/4"					
B mm	221	225	229	234	238	243	247	251	260
C mm	145	149	152	156	160	164	168	171	180

**How to order:**

**Example:** pump 84 cm<sup>3</sup>/rot, operating pressure up to 270bar; peak pressure 305 bar, ref.B354GTR

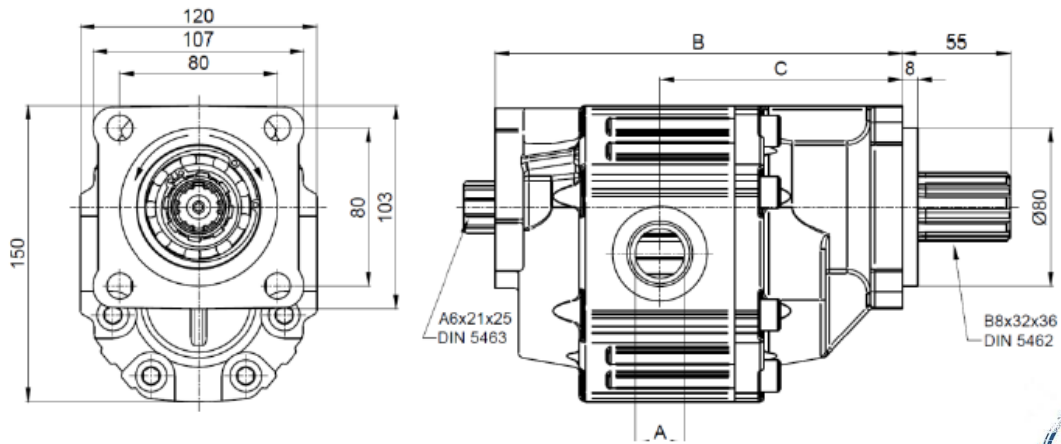
➔ B354GTR84



1800 022 831  
www.heavyhydraulics.com.au







Right hand



Left hand

Main Data					
Pump B34D	38	52	61	70	82
Cylinder capacity (cm <sup>3</sup> /rot)	38	52	61	70	82
Rotation Max. (rpm)	2800	2500	2000	2000	1800
Operating pressure (bar)	280	280	260	250	250
Peak pressure (bar)	310	310	300	290	290
Weight (kg)	11	11.5	12.5	13	13.5
Sense of Rotation	Bidirectional				
A - Inlet (BSPP) / Outlet (BSPP)	3/4"	1"			1 1/4"
B mm	179	188	194	199	207
C mm	105	111	117	120	123

How to order:

Example: pump 82 cm<sup>3</sup>/rot, operating pressure up to 250bar; peak pressure 290 bar, ref.B34D

➔ B34D82



1800 022 831  
www.heavyhydraulics.com.au



PUMP SERIES	SENCE OF FLOW	SEAL KIT
B2 SERIES	BIDIRECTIONAL	SKB2
B2 SERIES	UNIDIRECTIONAL	SKB2U
B3 SERIES	BIDIRECTIONAL	SKB3
B3 SERIES	UNIDIRECTIONAL	SKB3U
B3R SERIES (REINFORCED PUMPS)	BIDIRECTIONAL	SKB3R
B3R SERIES (REINFORCED PUMPS)	UNIDIRECTIONAL	SKB3RU
B3D SERIES (TANDEM PUMPS)	BIDIRECTIONAL	SKB3D
B3D SERIES (TANDEM PUMPS)	UNIDIRECTIONAL	SKB3DU
B3RD SERIES (REINFORCED AND TANDEM PUMPS)	BIDIRECTIONAL	SKB3RD
B3RD SERIES (REINFORCED AND TANDEM PUMPS)	UNIDIRECTIONAL	SKB3RDU